

+

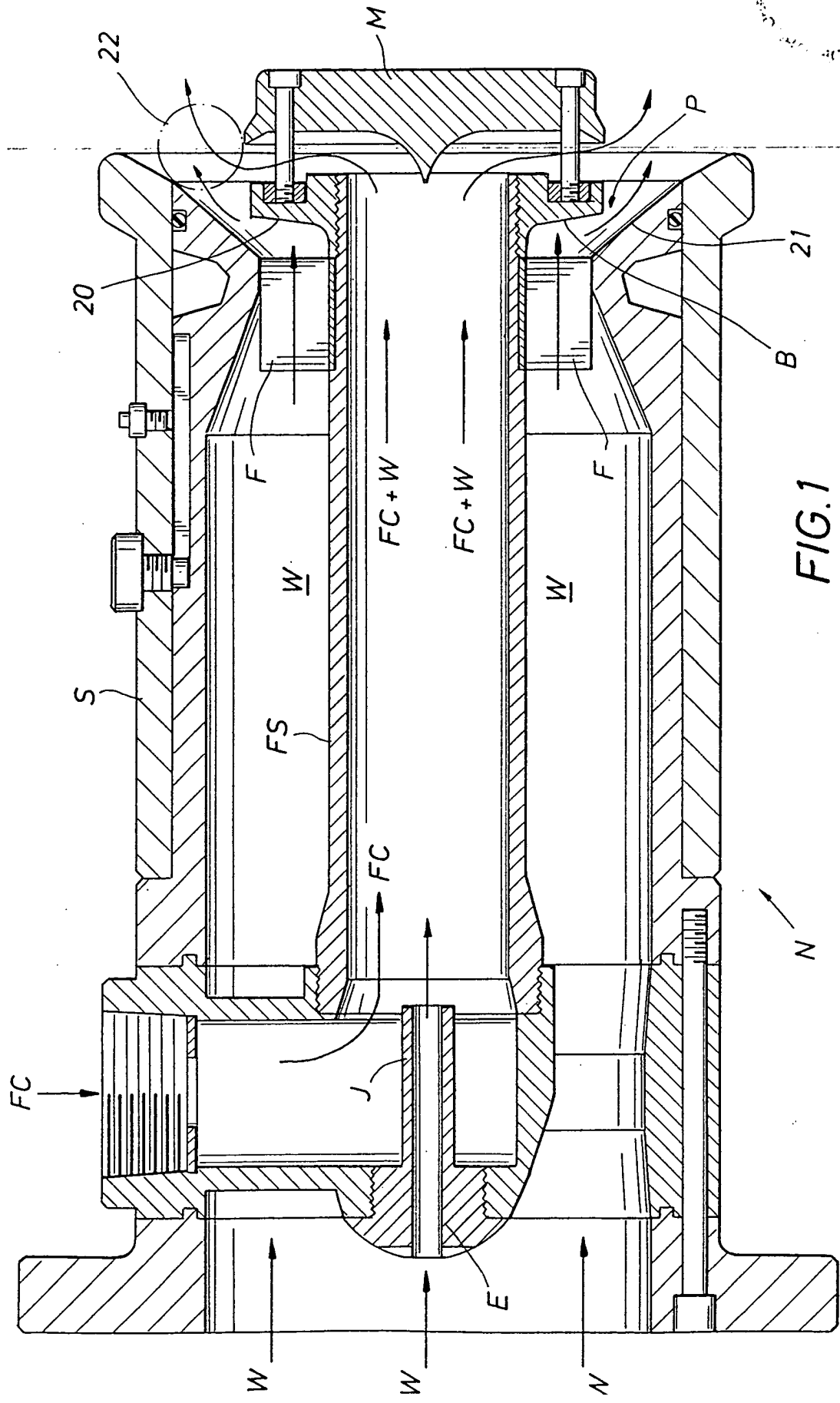
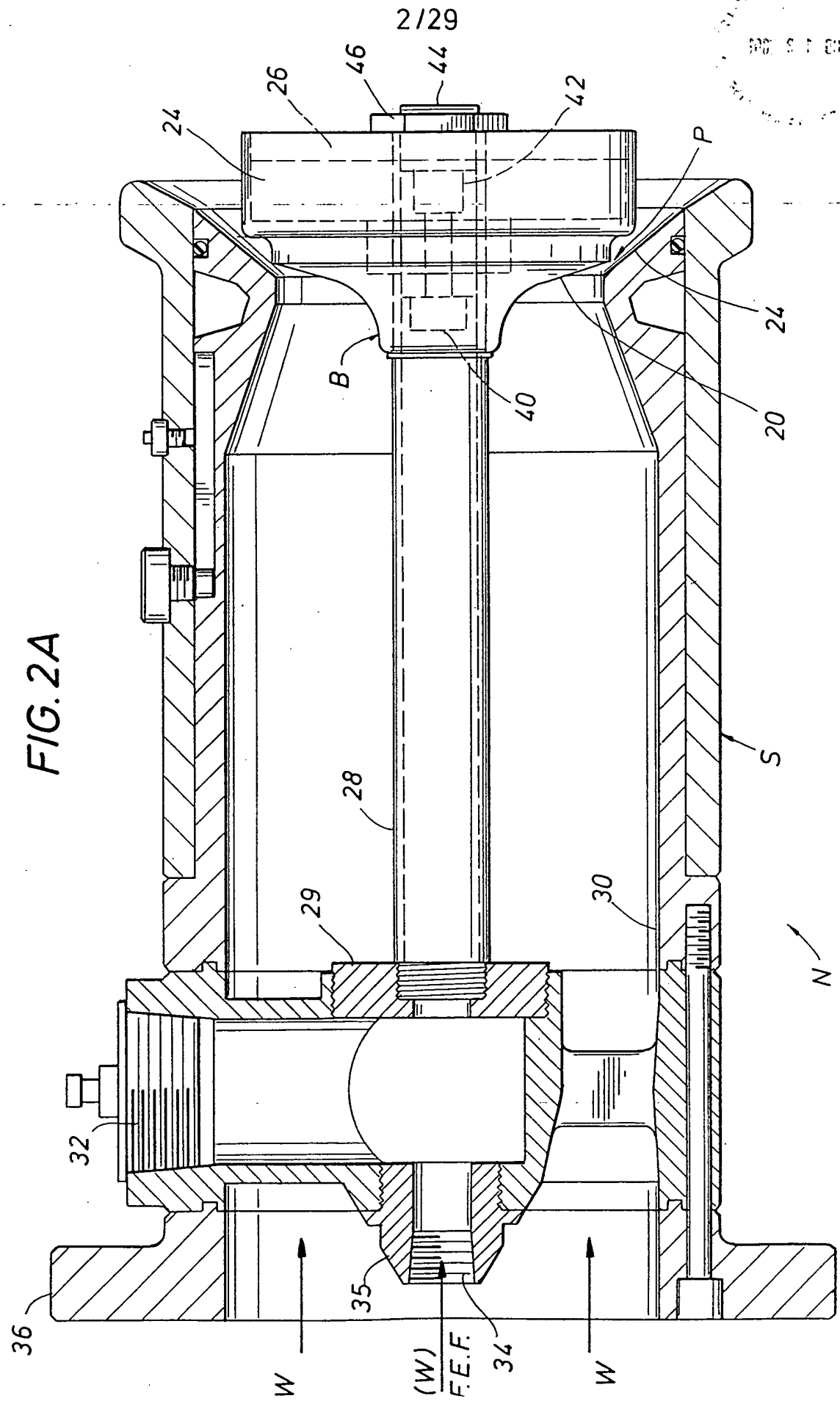


FIG.1
(PRIOR ART)

+



FIG. 2A



3/29

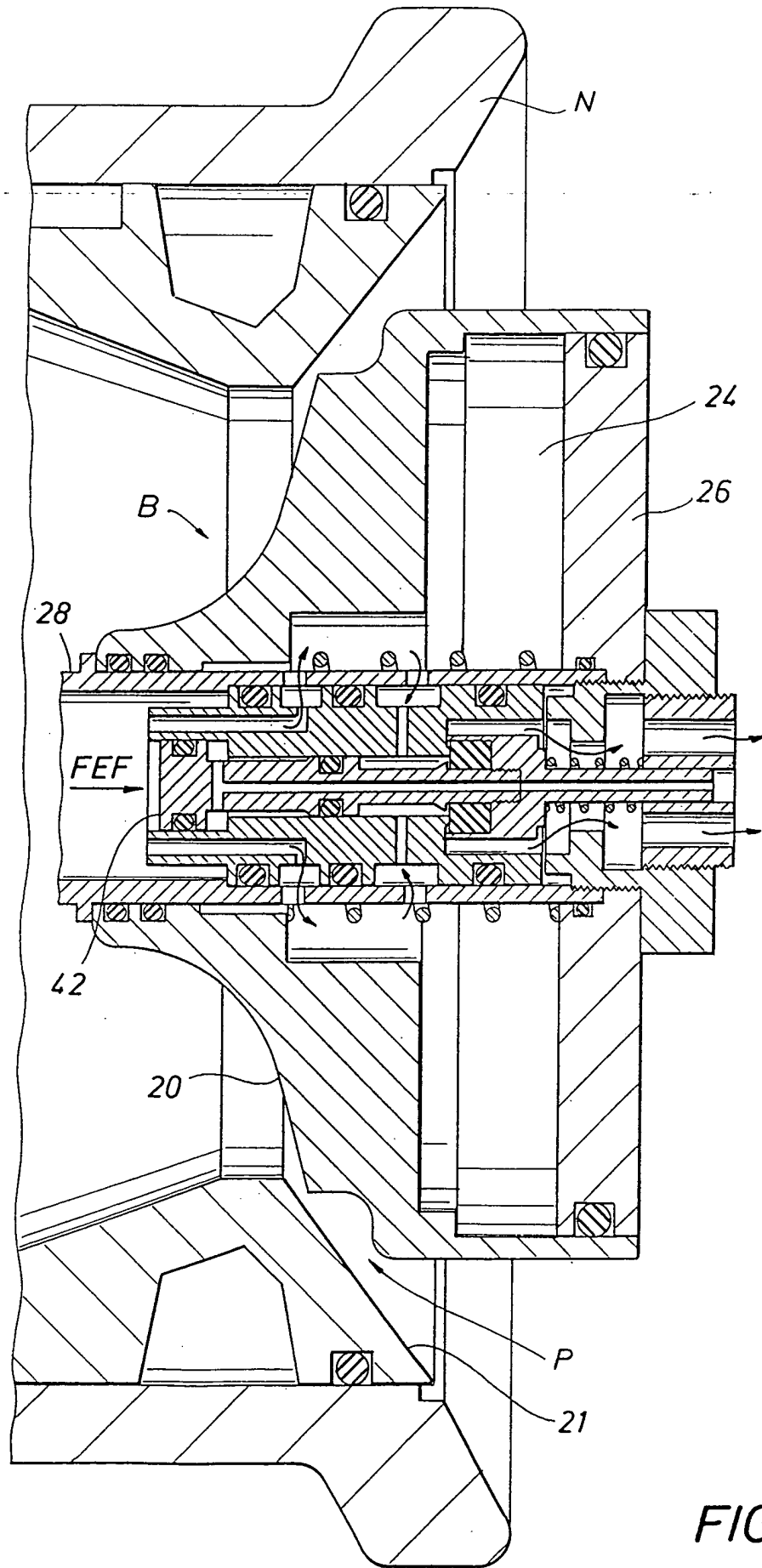
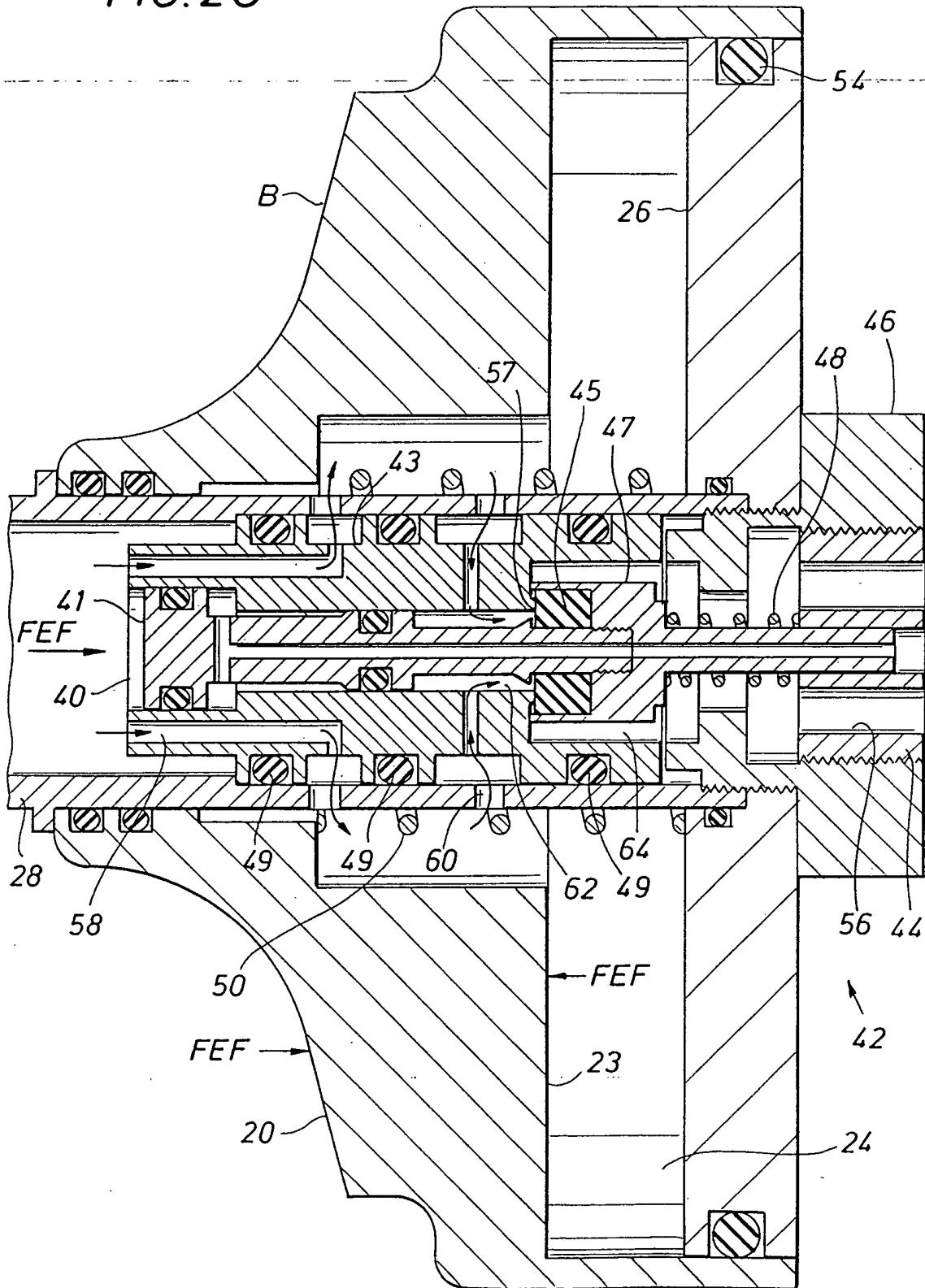


FIG. 2B

FIG. 2C



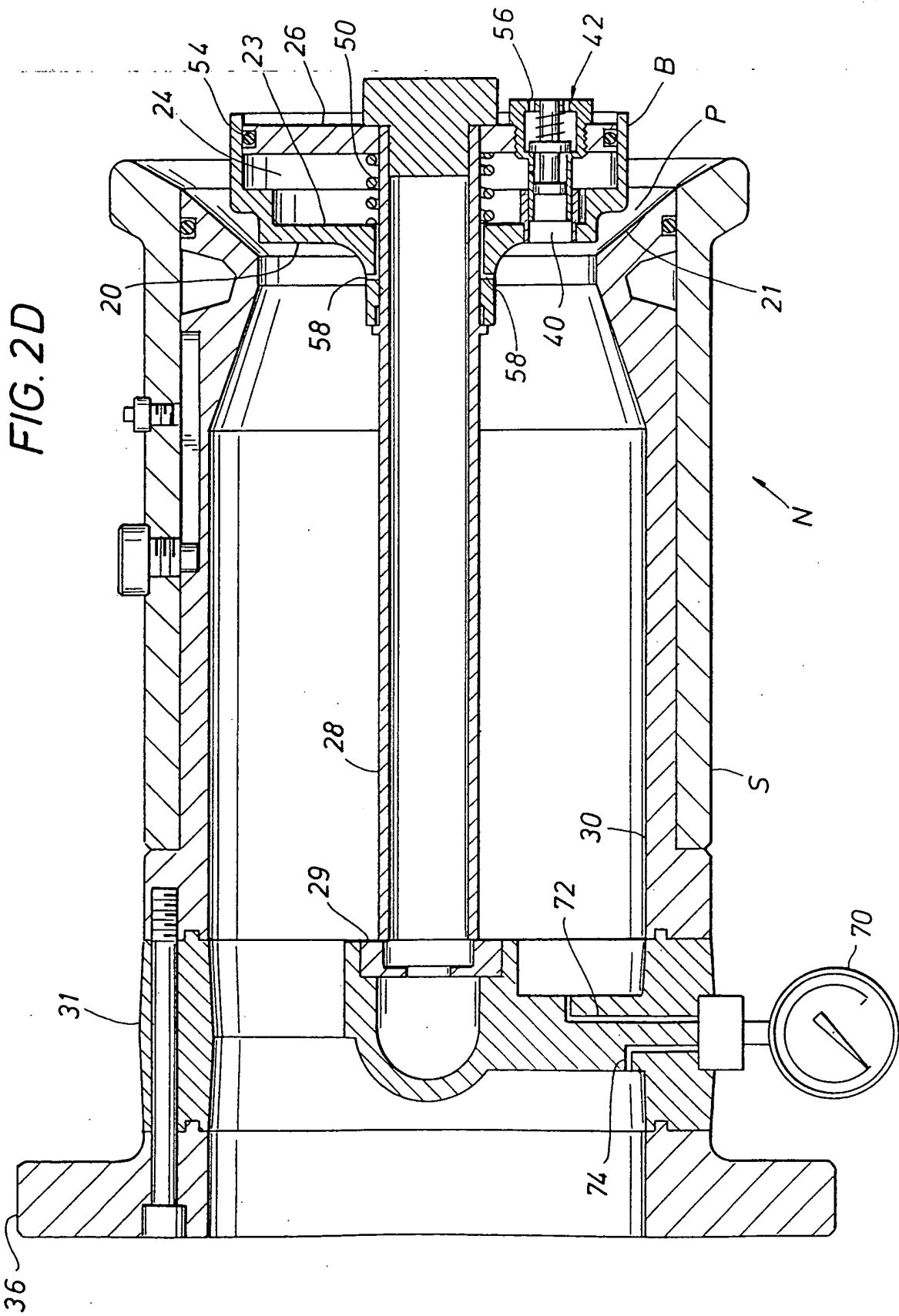


FIG. 2D

+

FIG. 3A

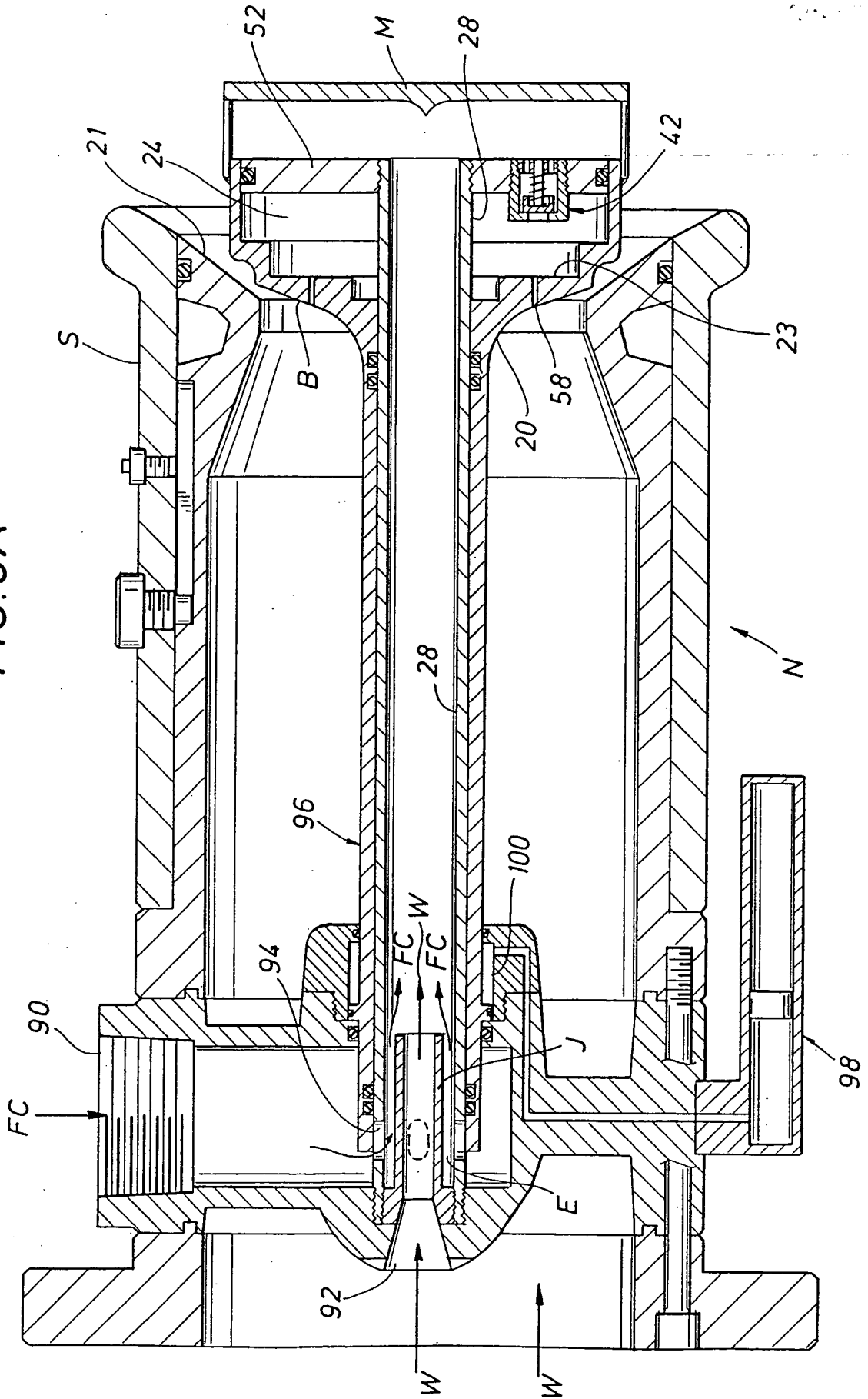




FIG. 3B

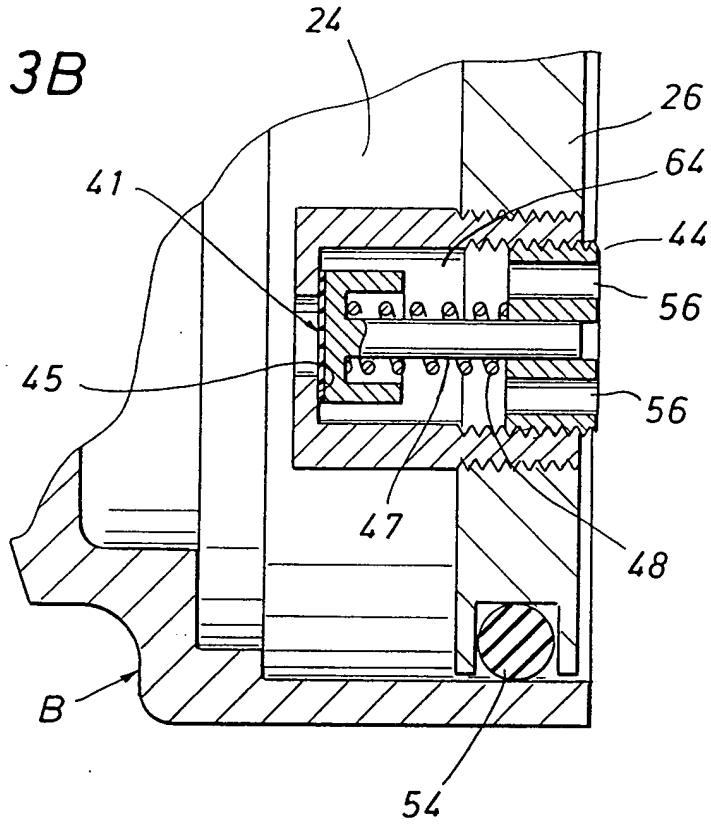
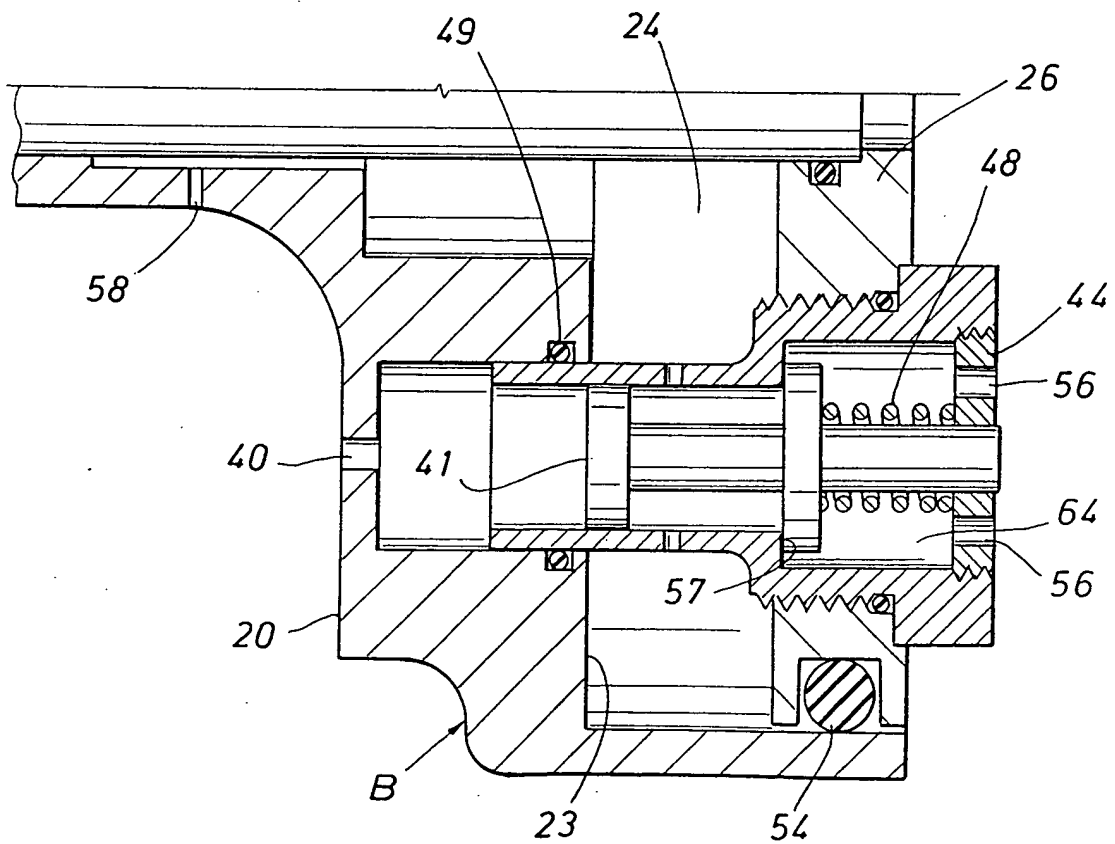


FIG. 3E



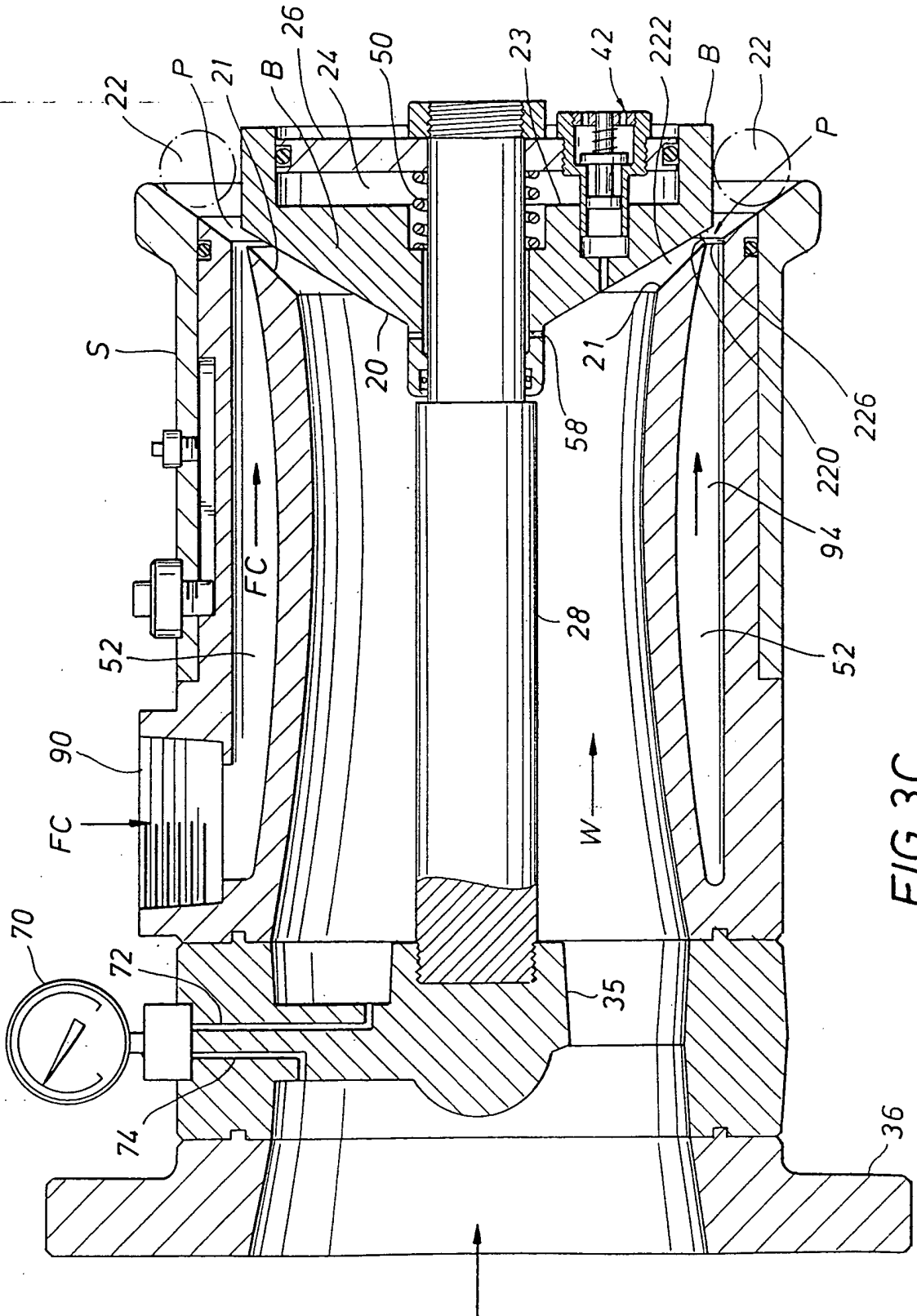
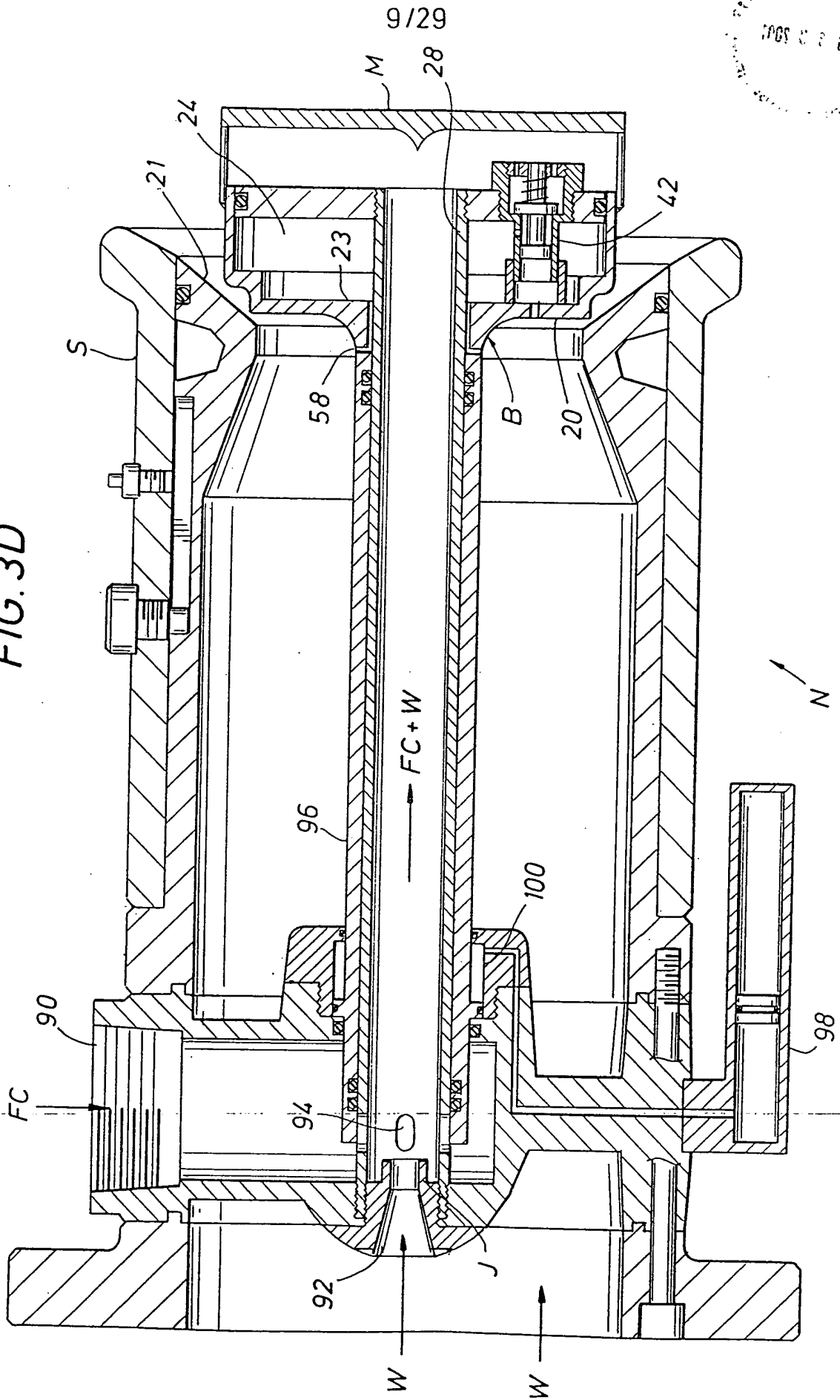


FIG.3C

FIG. 3D



U.S. PATENT OFFICE
SEP 29 1968

FIG. 4A

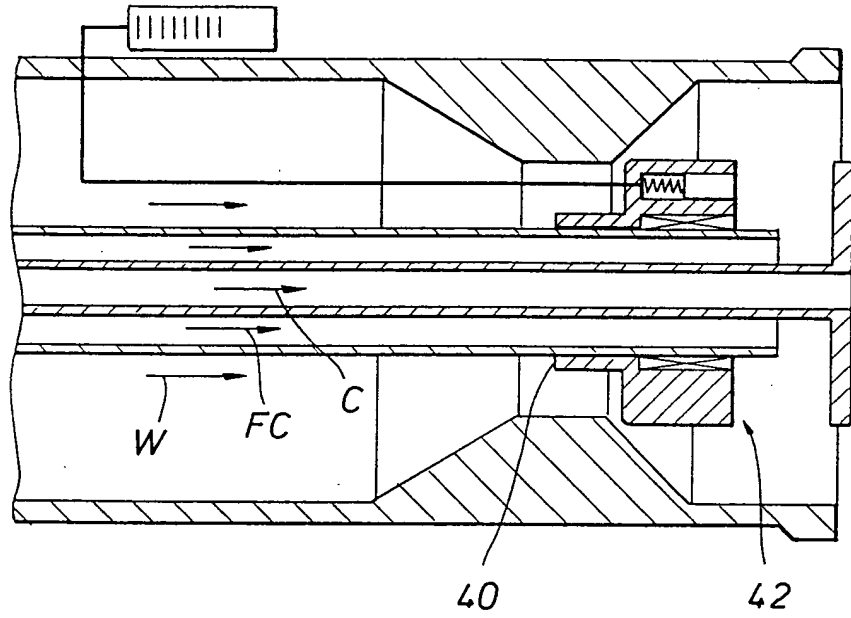
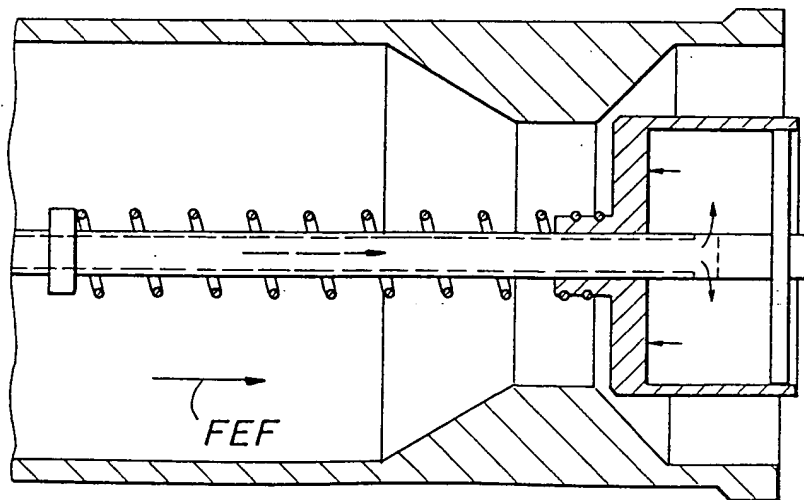
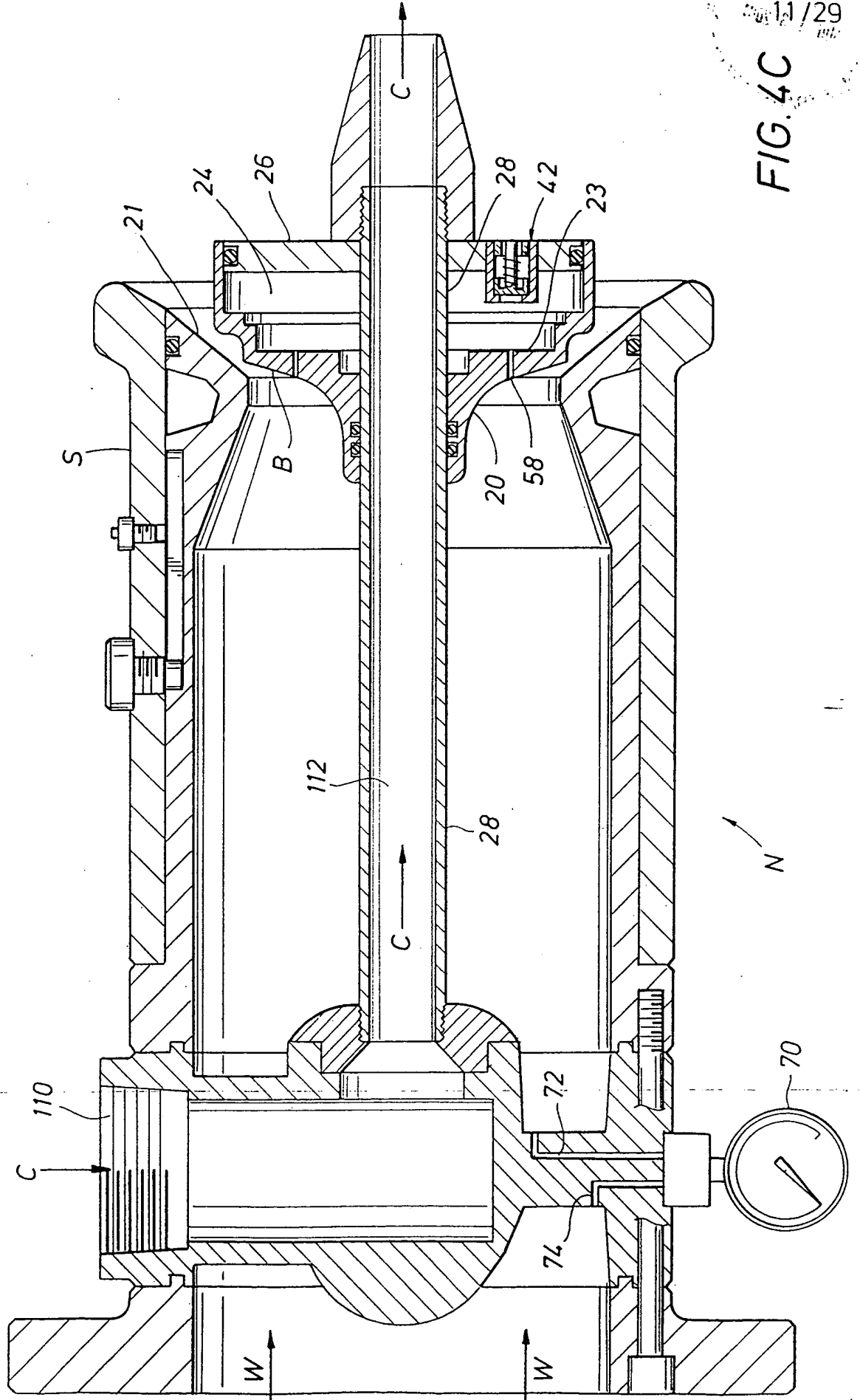


FIG. 4B



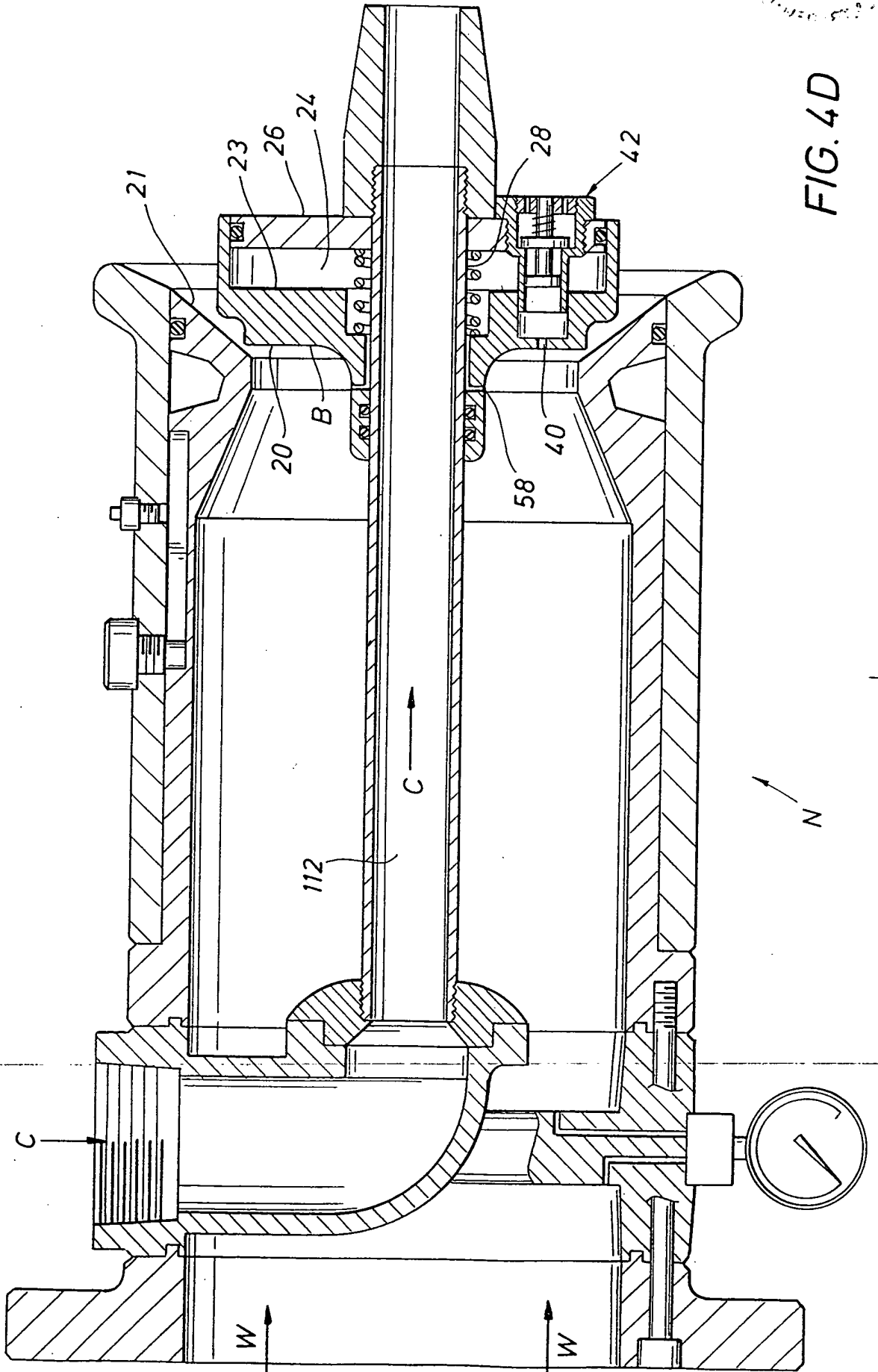
+



+

+

12/29



L

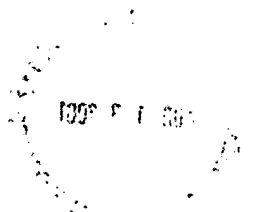
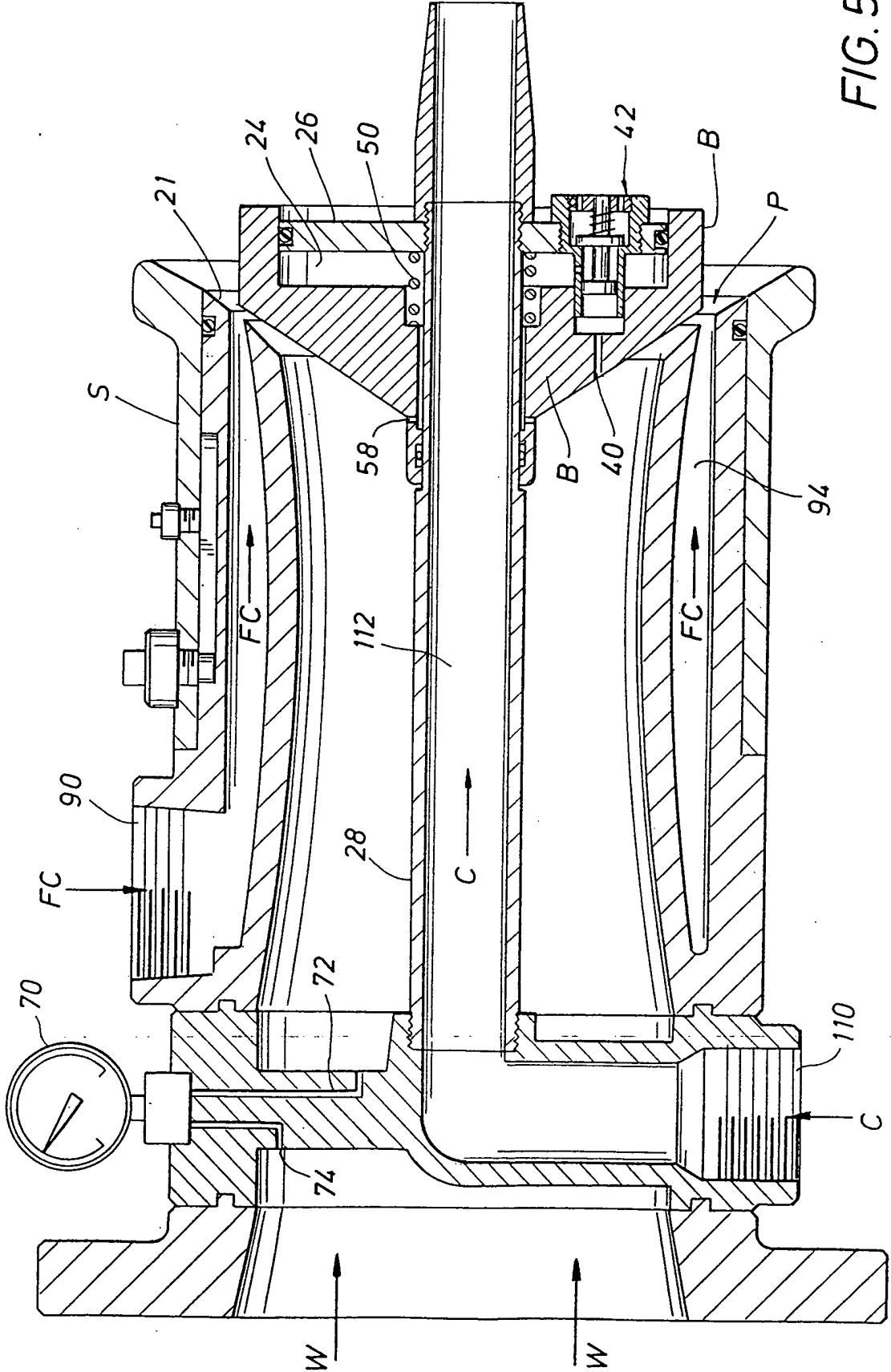


FIG. 5A



+

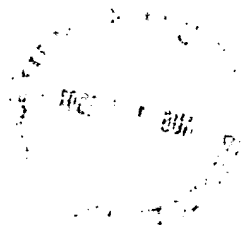
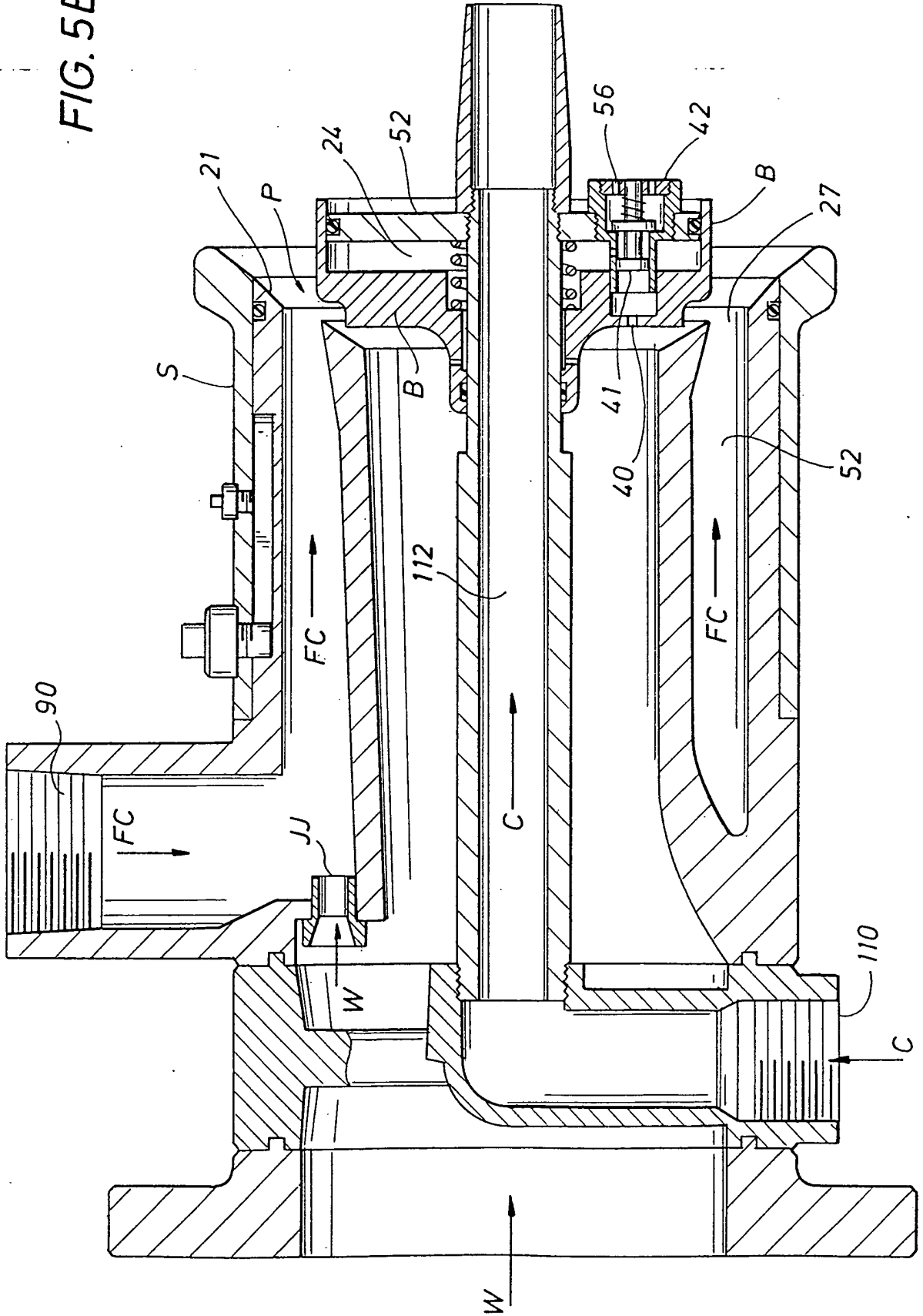


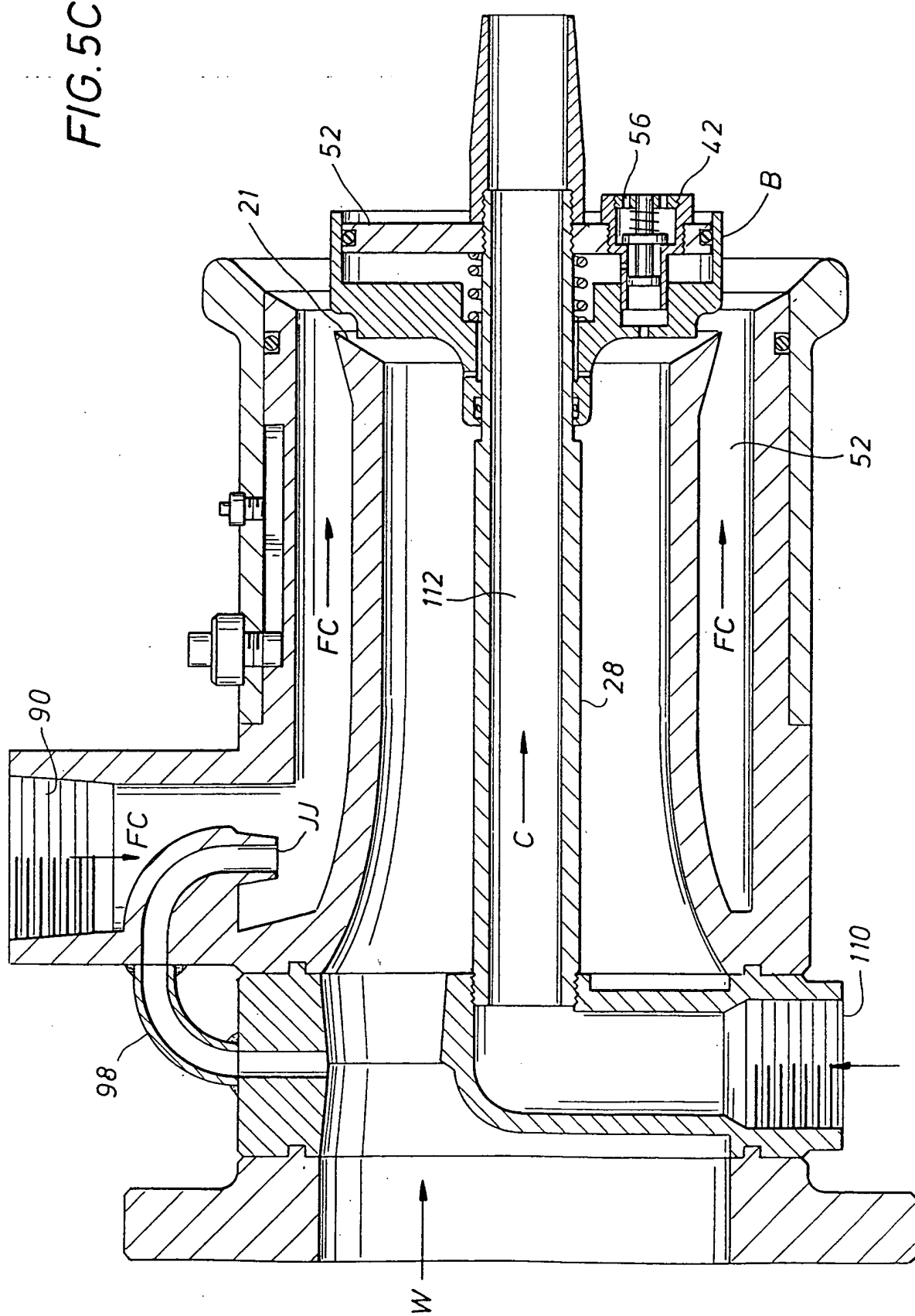
FIG. 5B



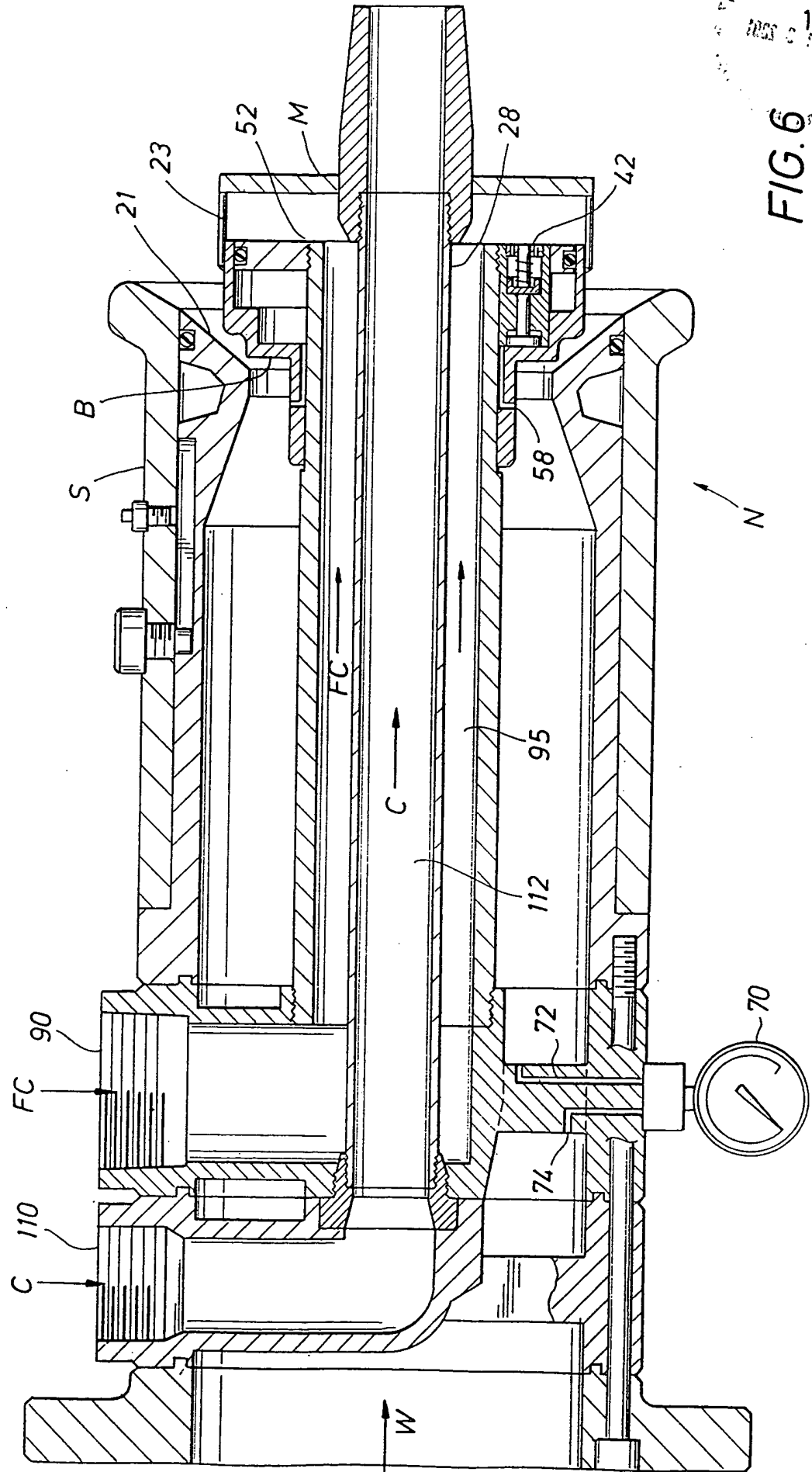
+



FIG. 5C



+



1.

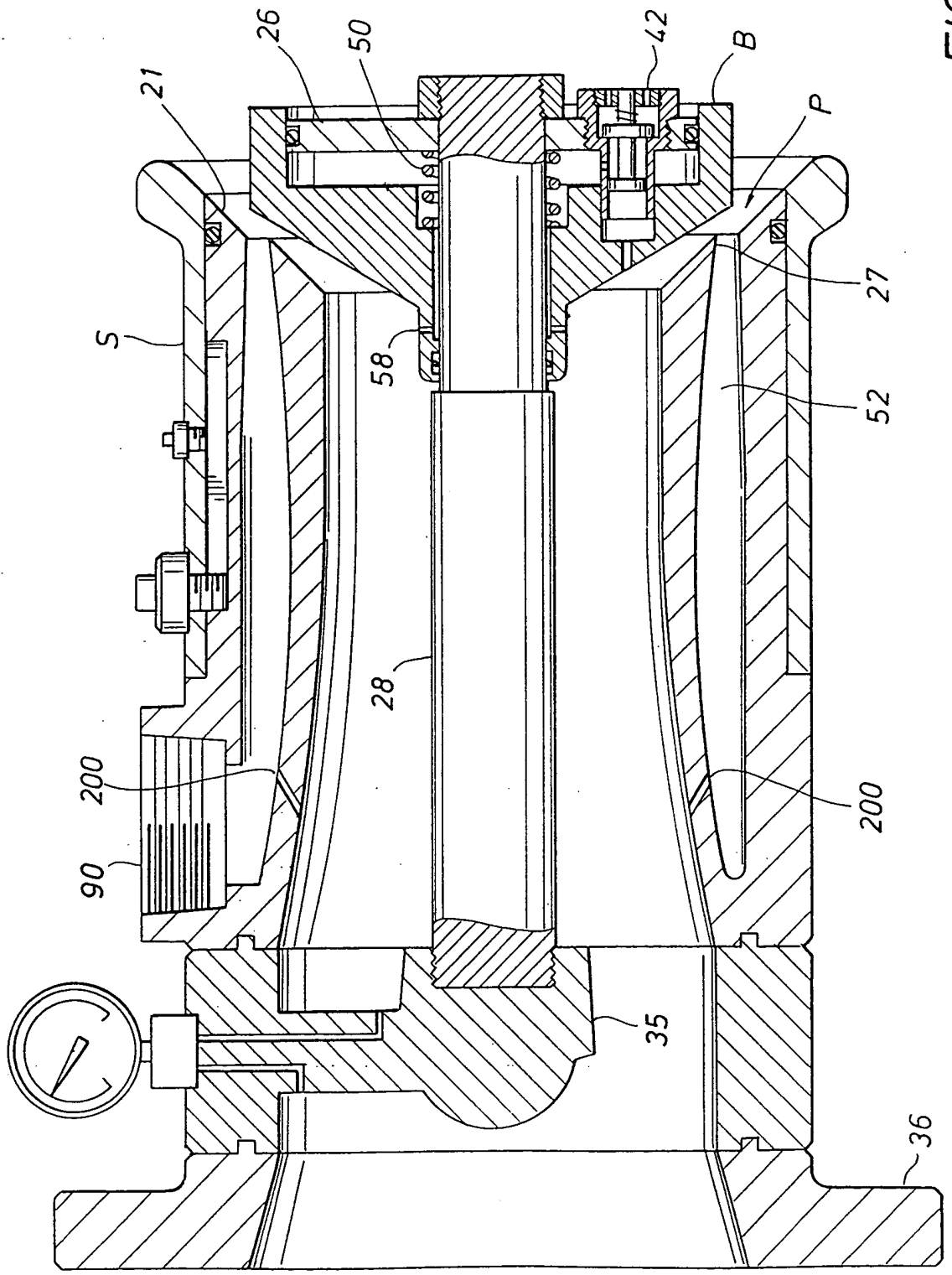
+

+

17/29



FIG. 7



+

18/29

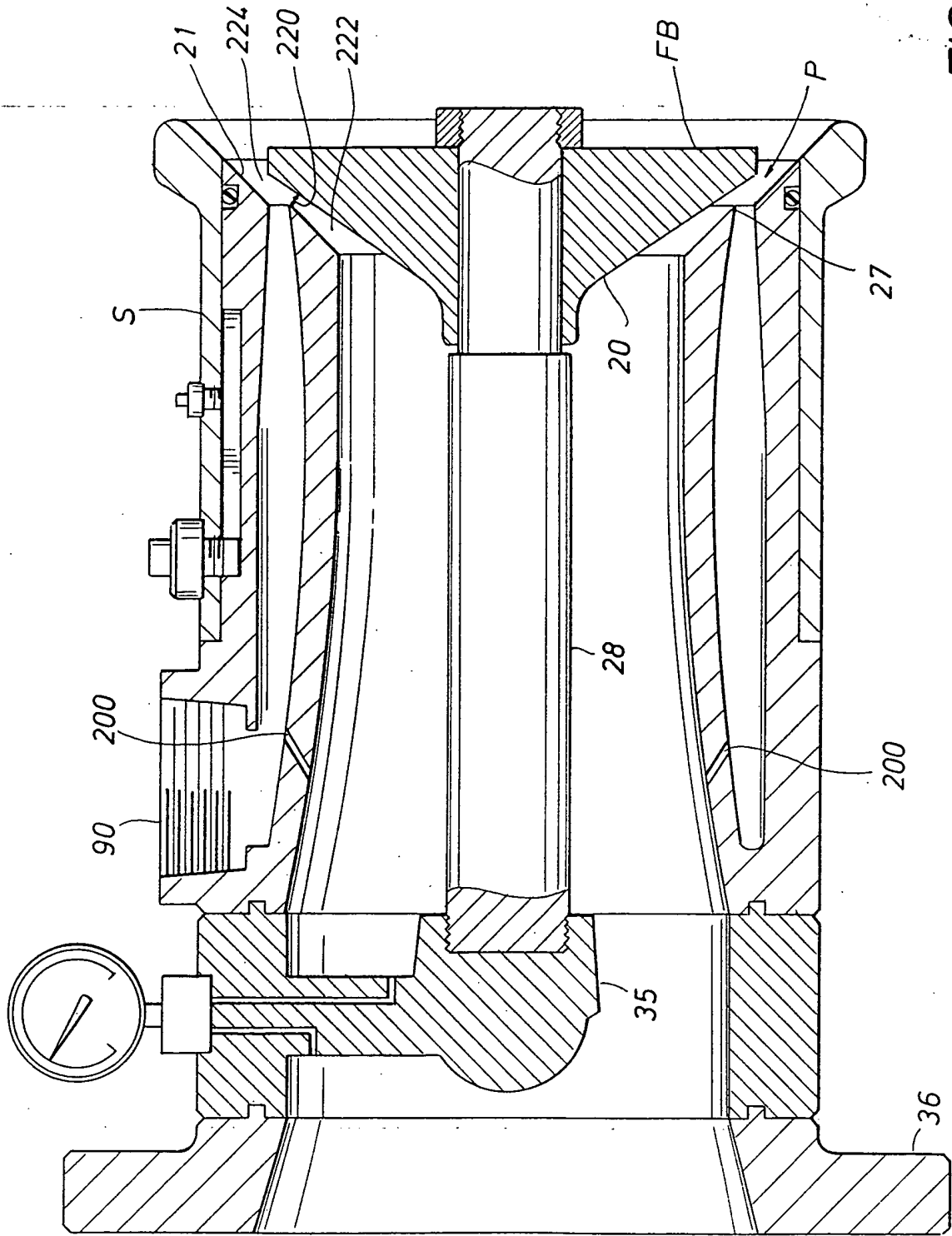


FIG. 8

+

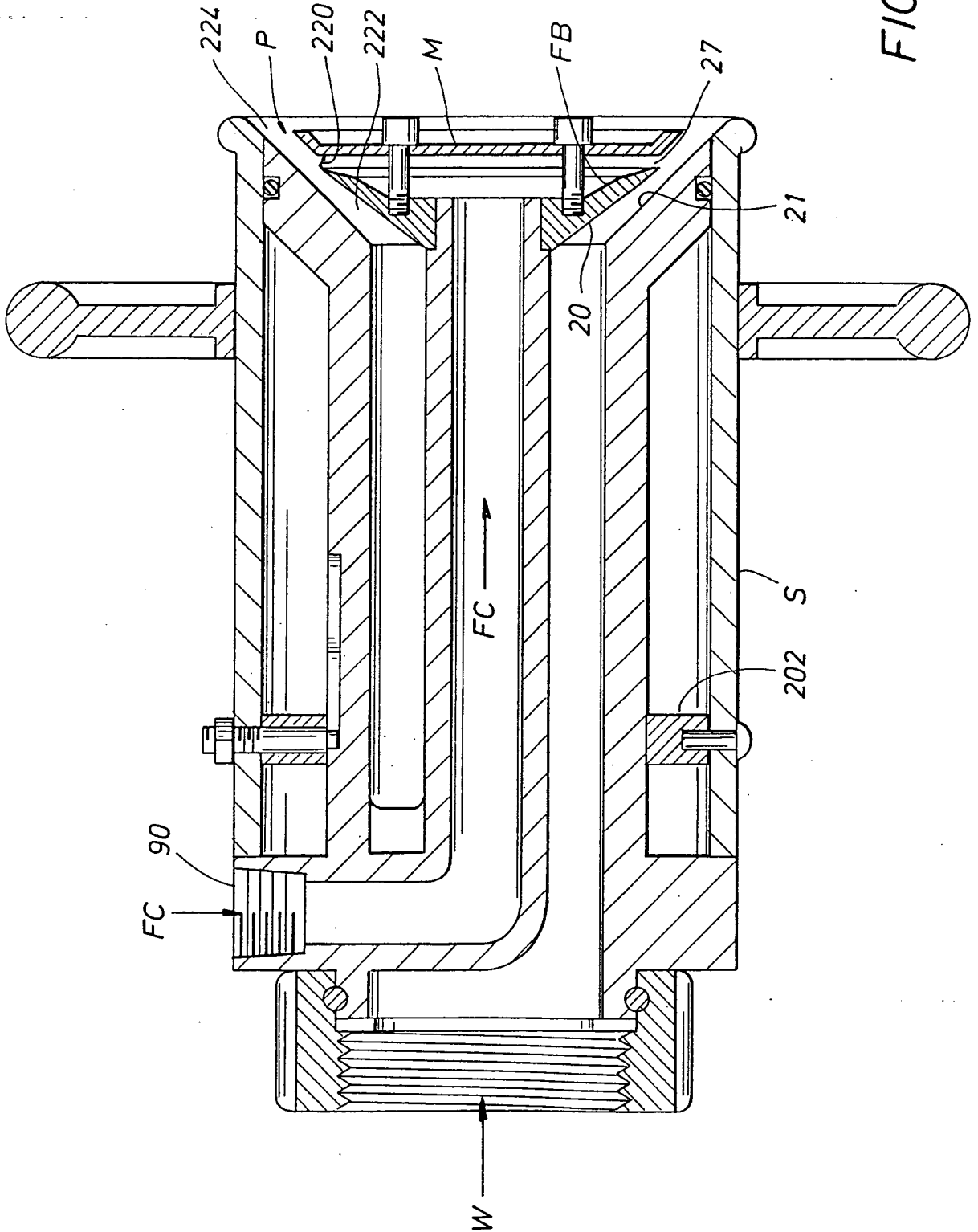
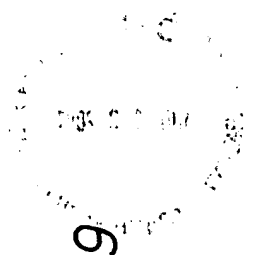
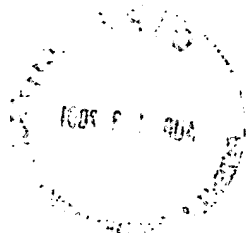


FIG. 9





+

20/29

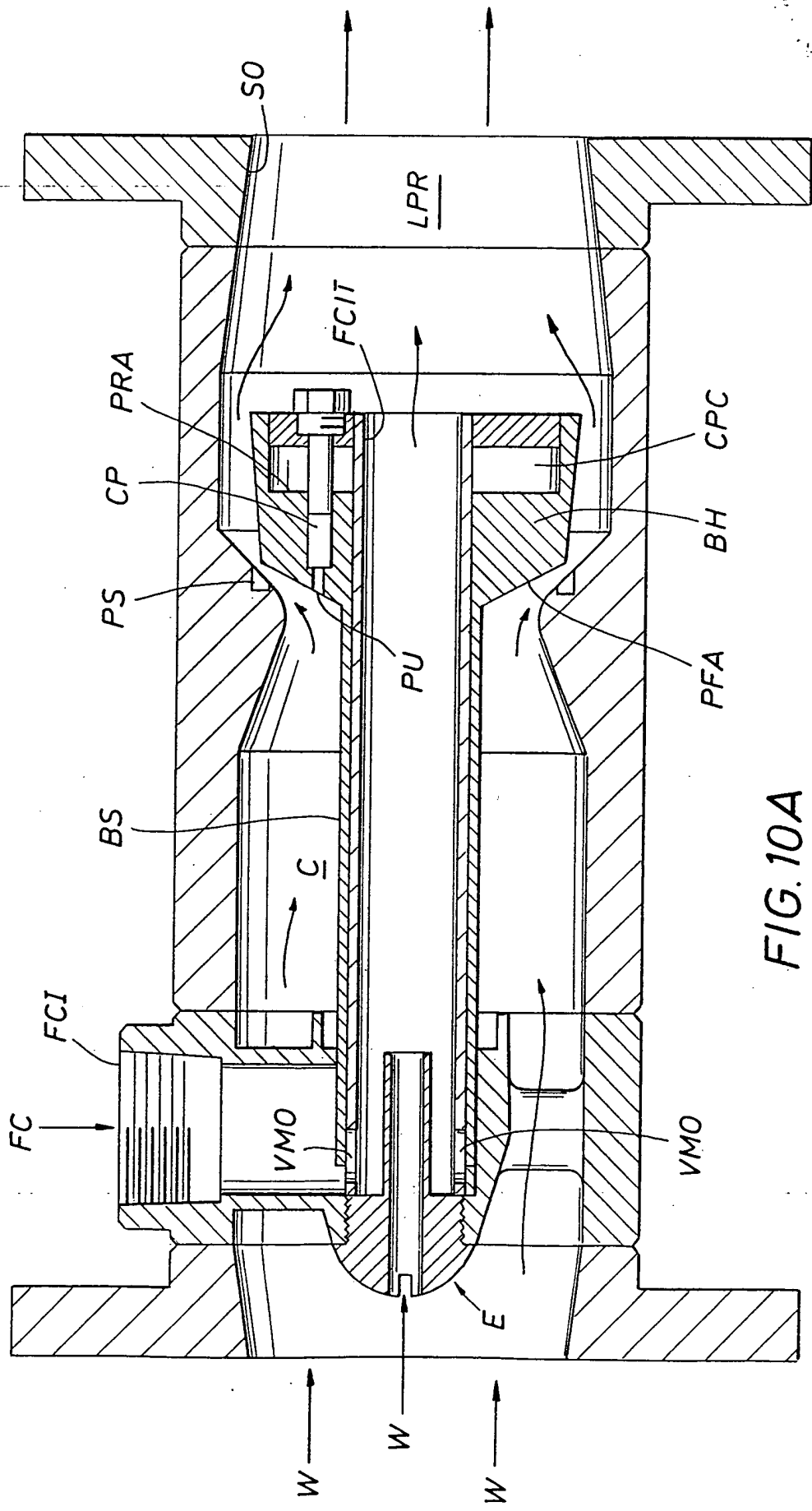
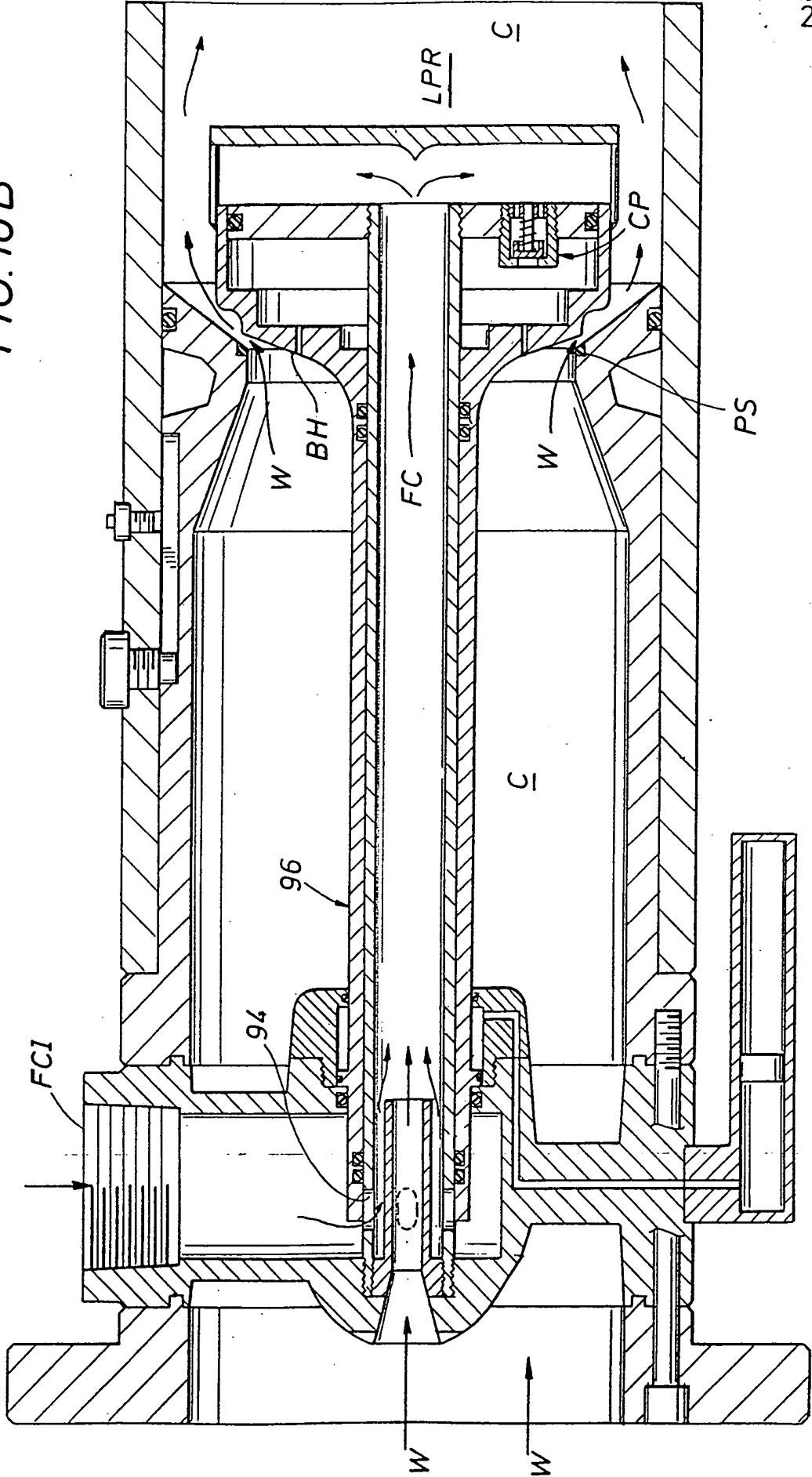


FIG. 10A

FIG. 10B

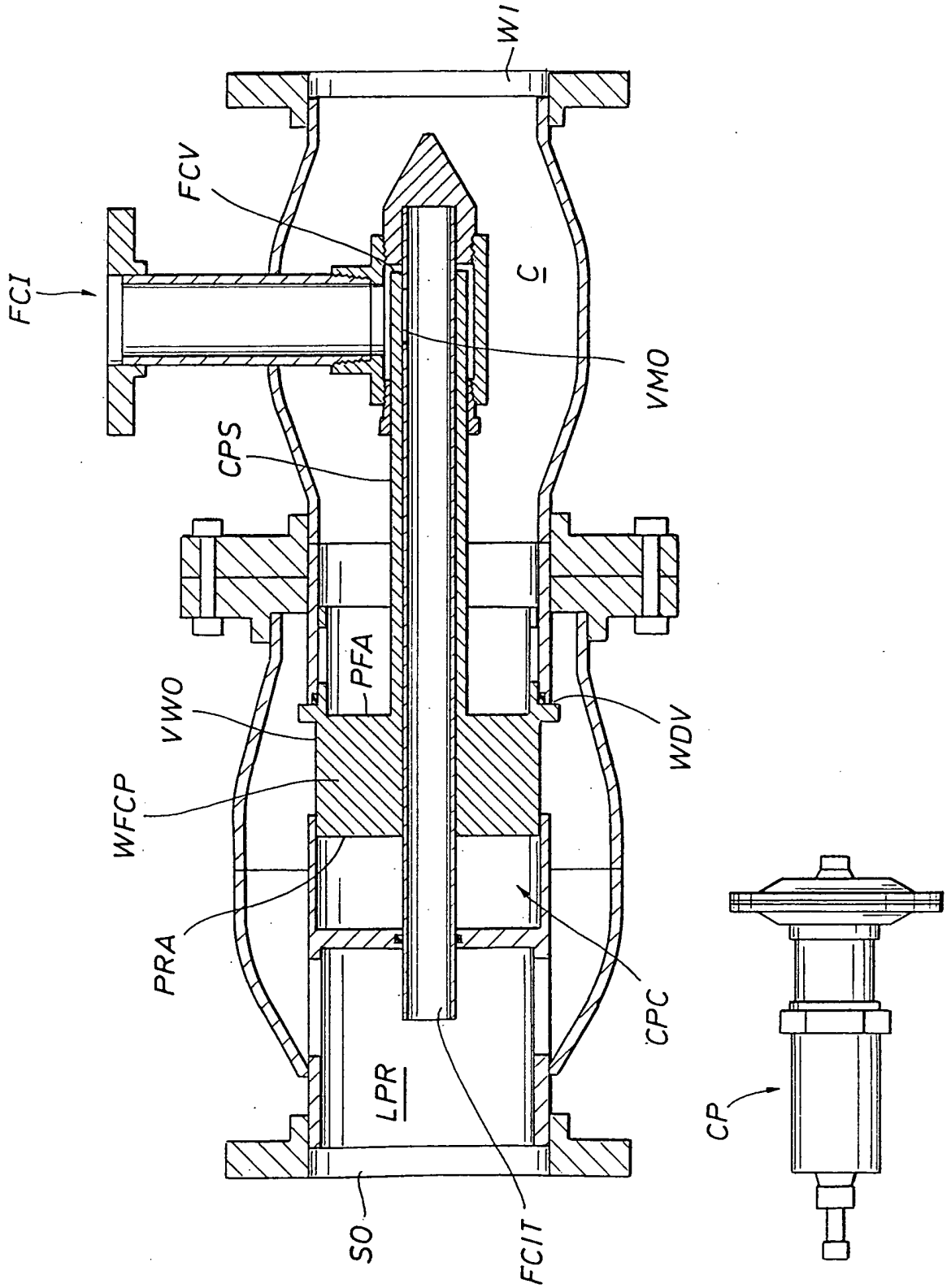


+

22/29



FIG. 11A



+

FIG.11B

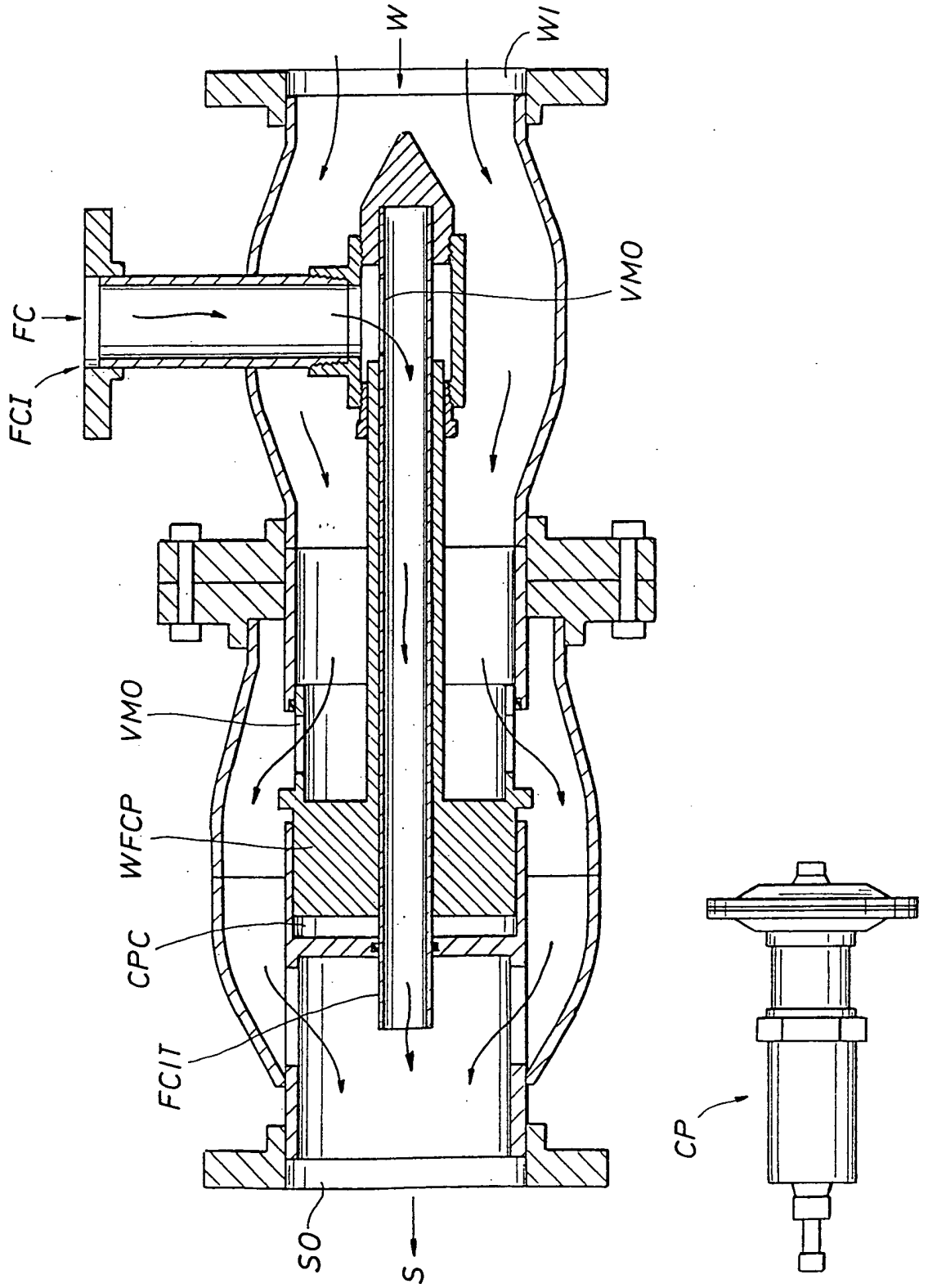


FIG. 11C

+

FIG. 11C

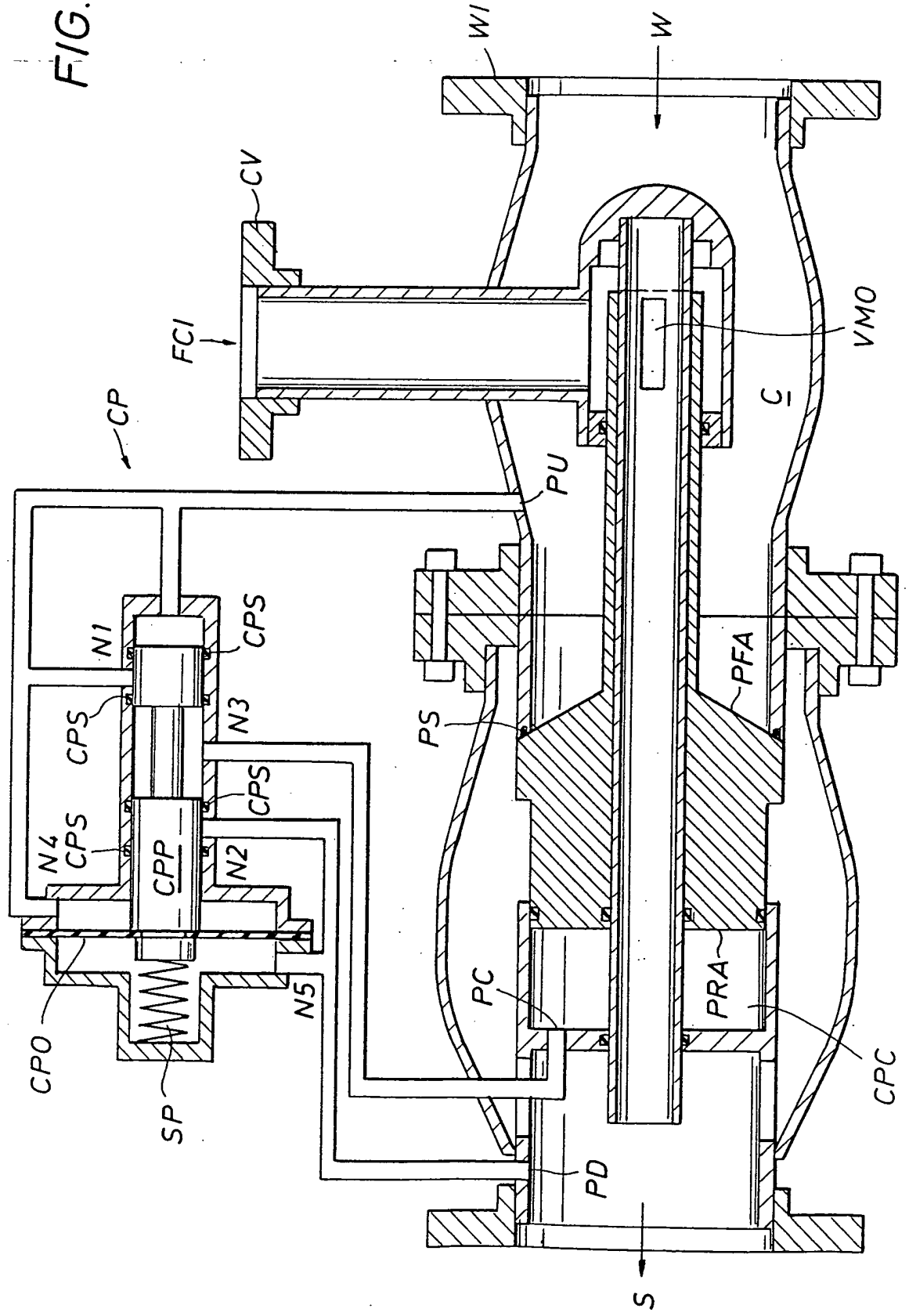
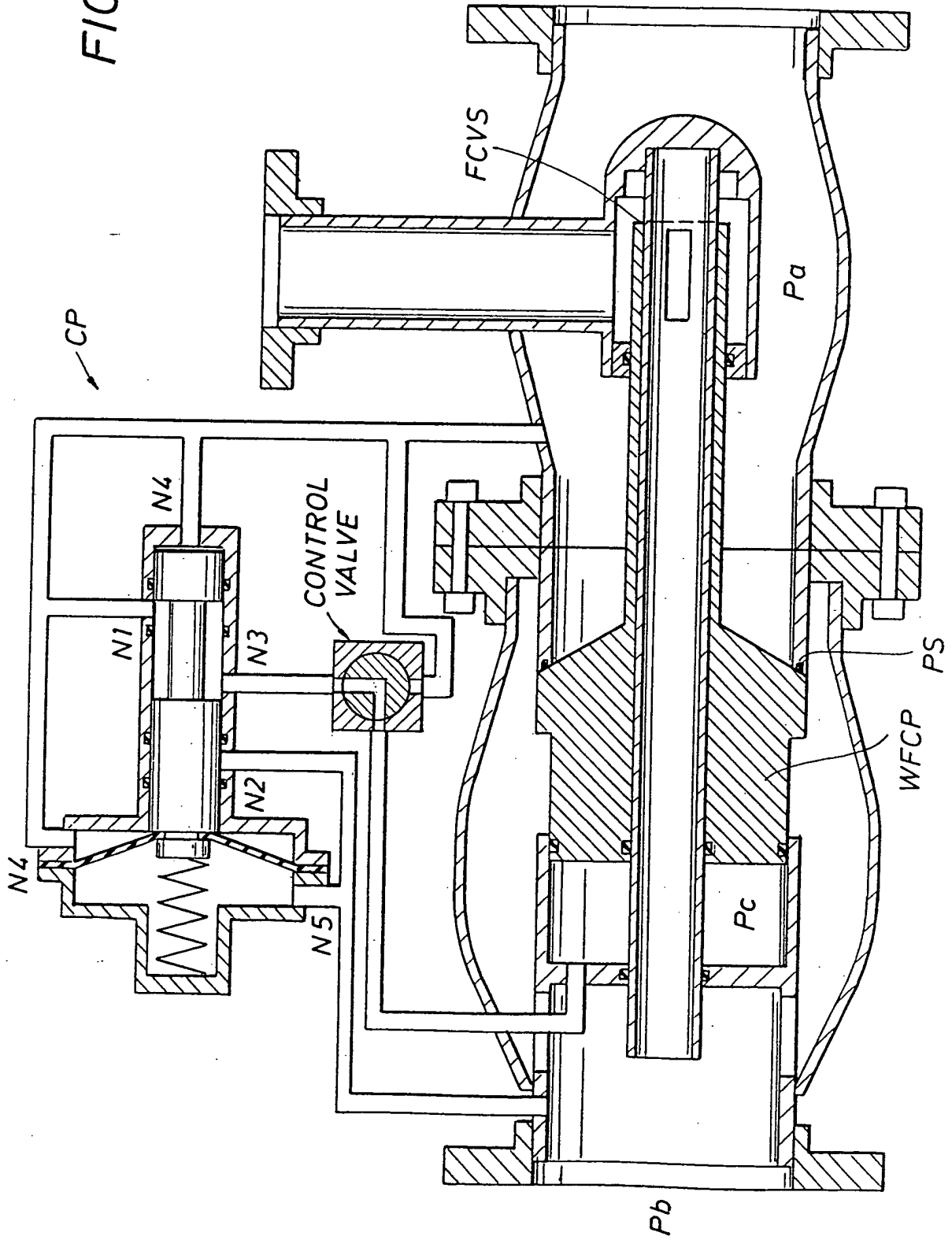




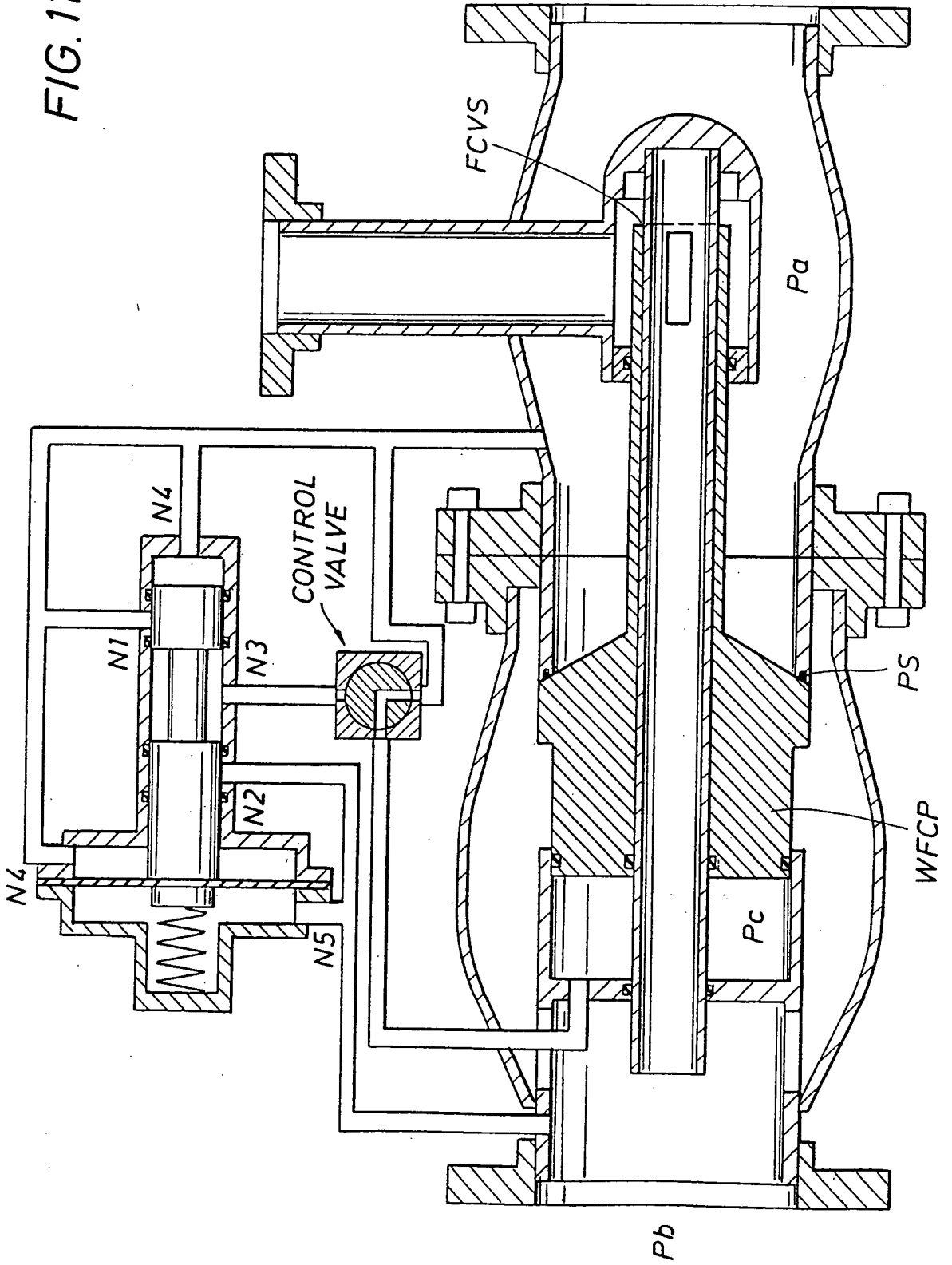
FIG. 11D



+



FIG. 11E



+

27/29

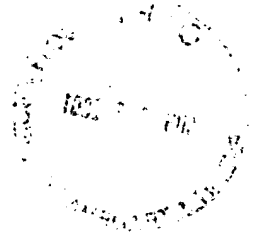
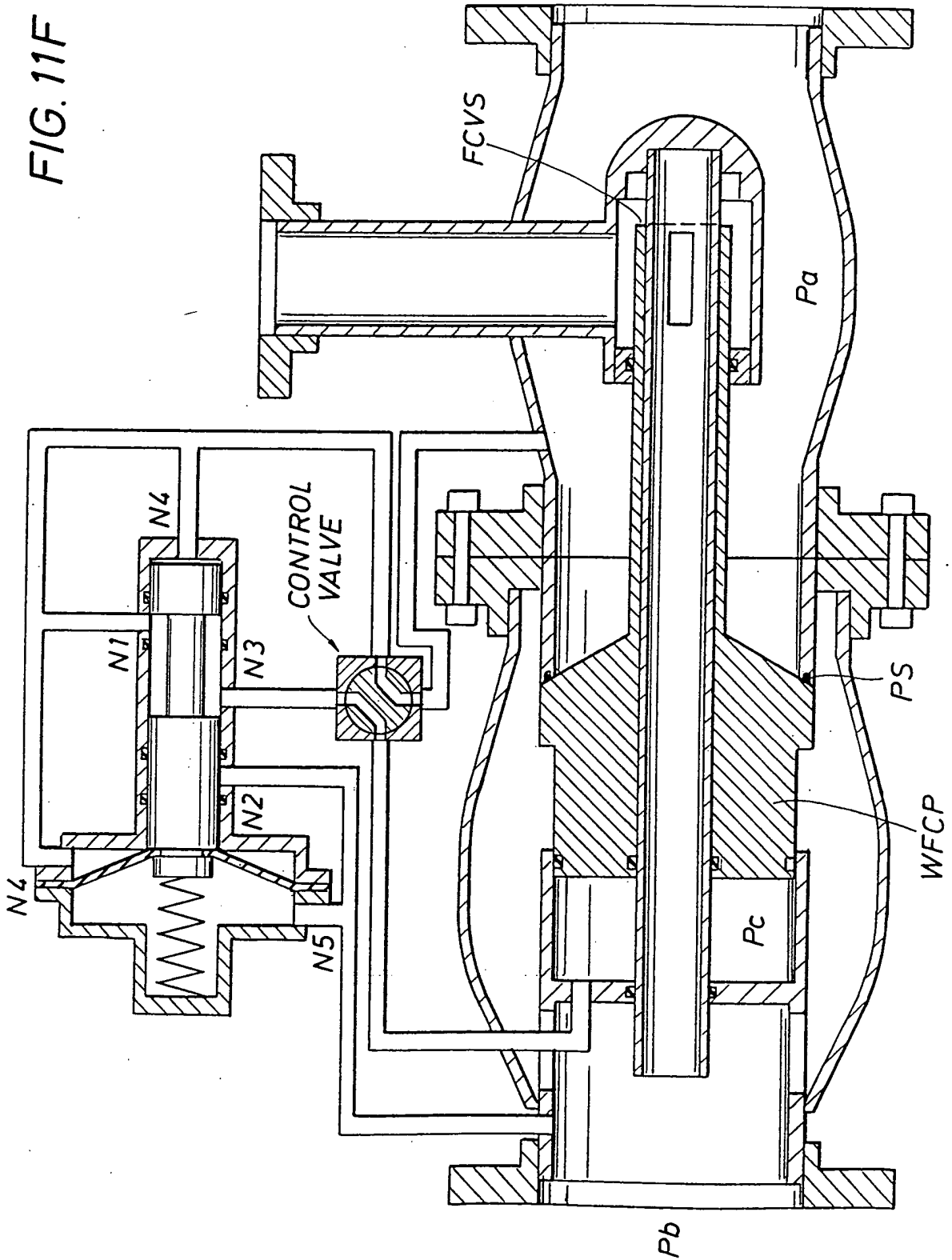


FIG. 11F



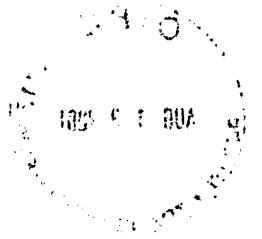
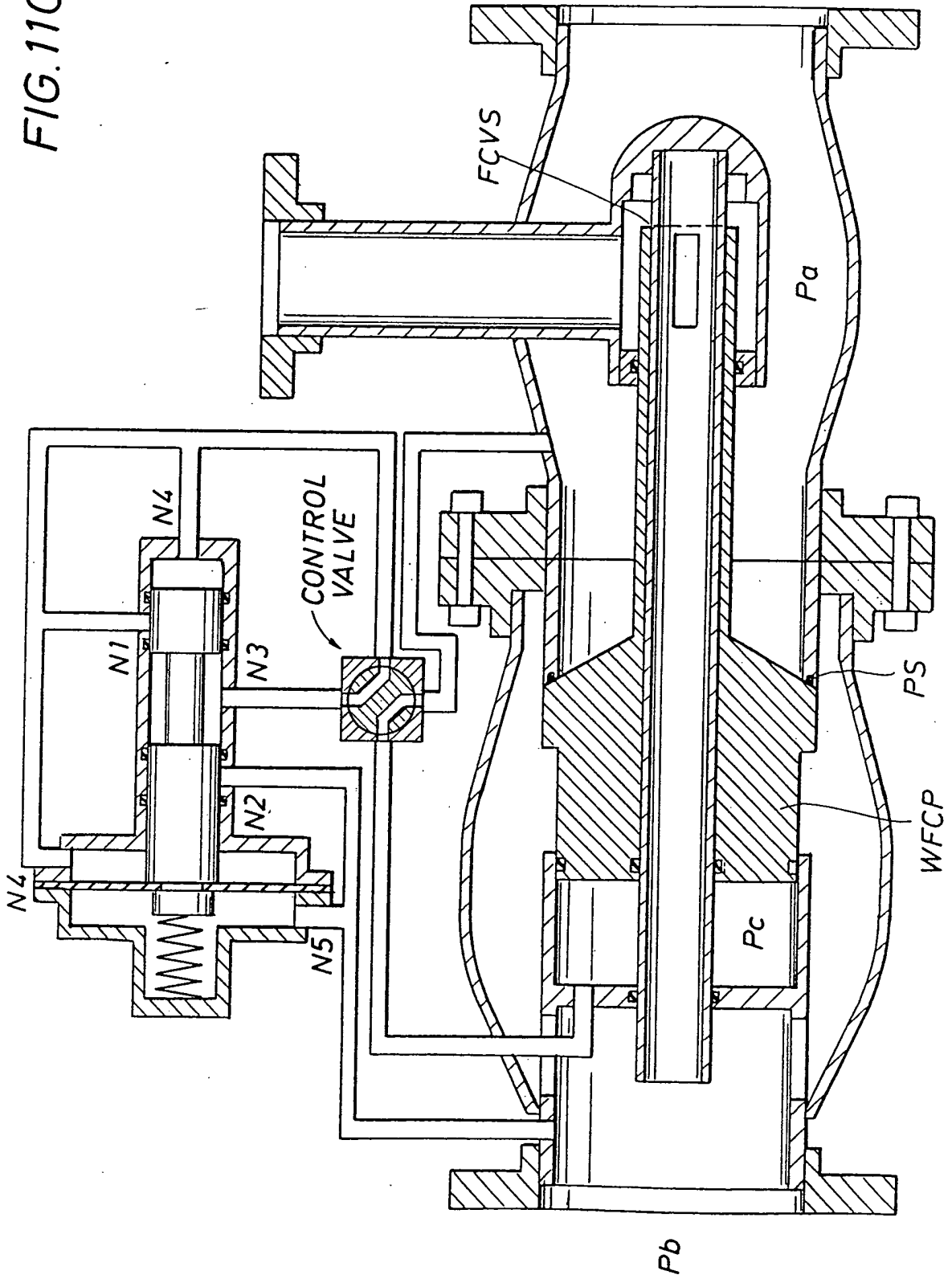


FIG. 11G



443
2008 01 19
U.S. PATENT AND TRADEMARK OFFICE

FIG. 11H

